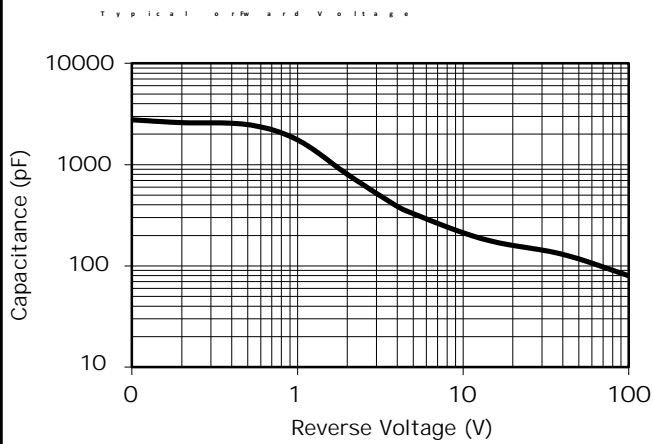
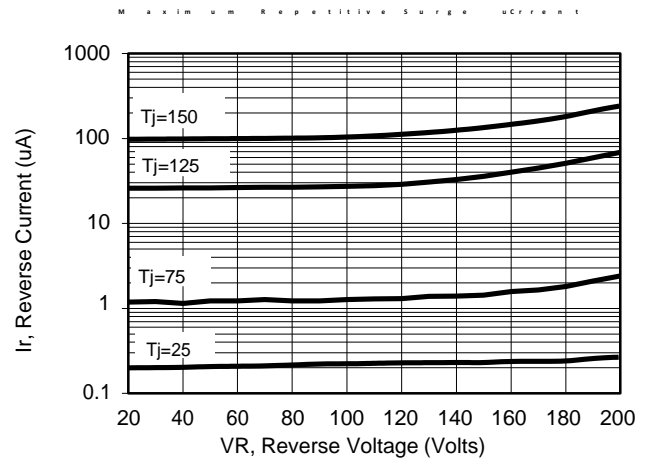
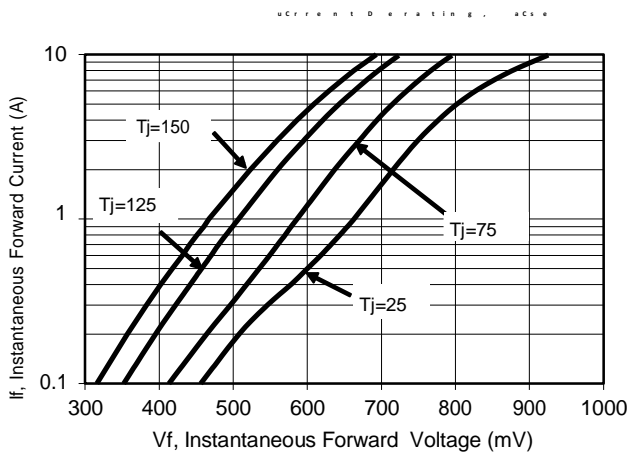
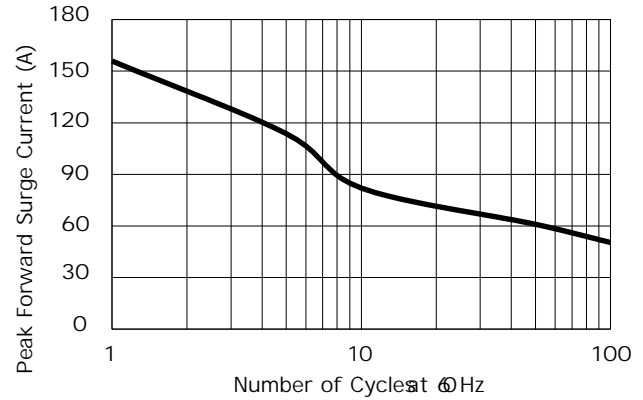
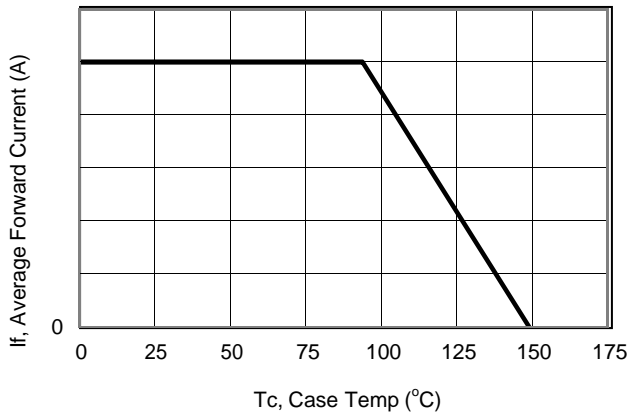


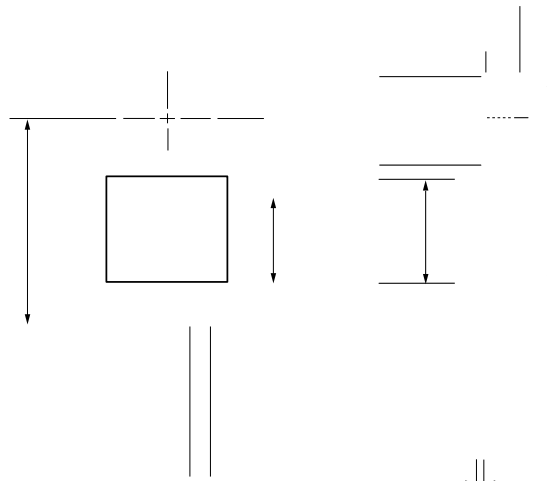
RATINGS AND CHARACTERISTICS CURVES

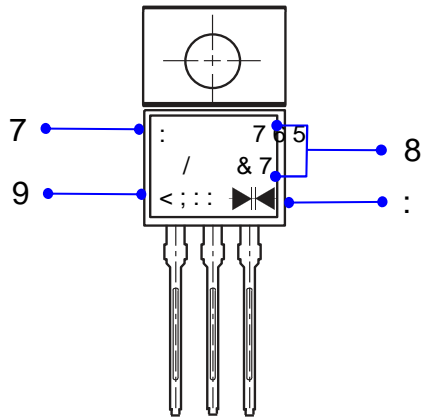
7\$

f & XQOHVQRWKB UZLVH



PACKAGE OUTLINE DIMENSIONS



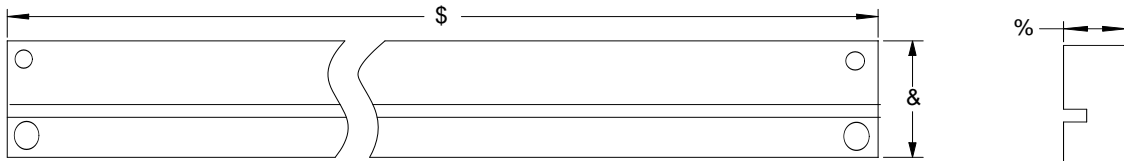


3URGXFW PRGSHD &7RU 765 &7)
93' & LQIRU EDWLRQ
< ; ::

:: :HHN FRGH WR
; ,QWHUQDO LGRQWLILFDWLRQ
< <HDU FRGH H[

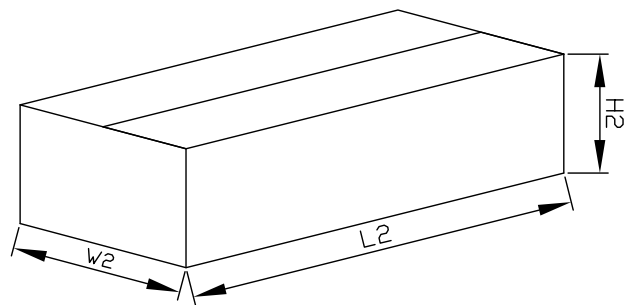
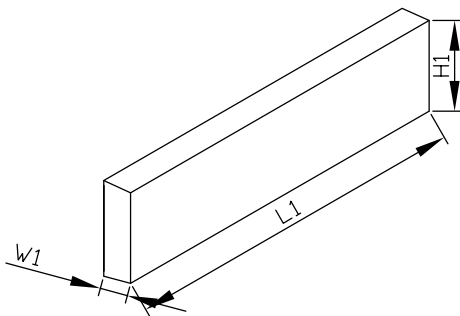
: >> 'RXEOH ZDIHU

7XEH 'LPHQVLRQV



,QVLGH %R[

2XWVLGH %R[



3DFNDJLQJ ,QIRUPDWLRQ

12	81,	7XEH 'LPHQVLRQV			,QVLGH %R[2XWVLGH %R[
6H	PP	\$	%	&	/	:	+	/	:	+
47<	3&6	3&6 7XEH			6PDO SHFDJH3&6 WXEWRWDO			3&6 FDUWRWDO		
1RWH	7ROHUDQFPP"PP			PP"PP			PP"PP			